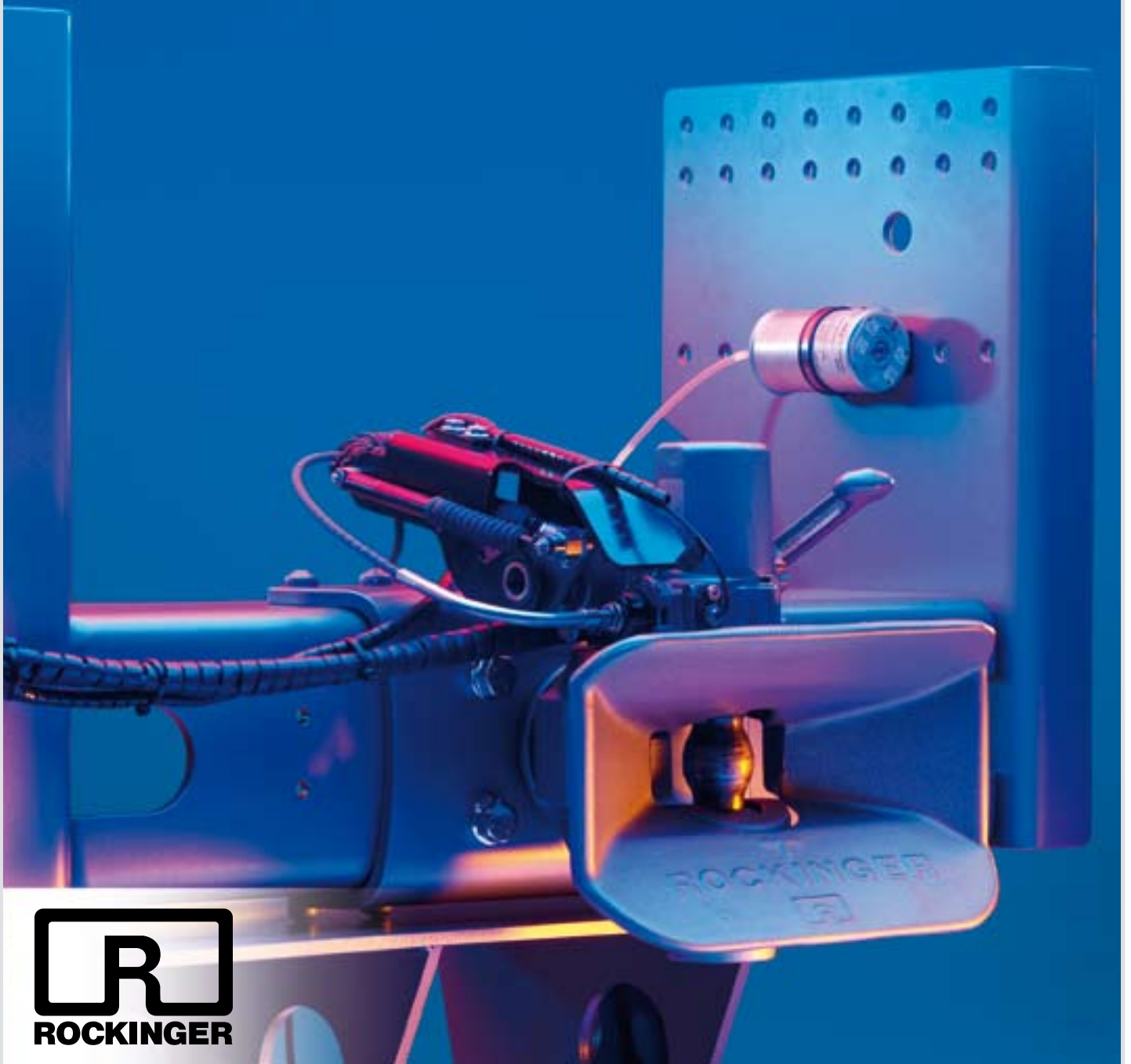


# Upgrade kits by ROCKINGER



**Remote controls, remote displays,  
warning systems – safe and practical**

[www.jost-world.com](http://www.jost-world.com)

**JOST**

# Upgrade kits: Safe and practical

## Remote controls and remote displays for every application

Today's design of articulated trains can lead to towing hitches that are difficult or impossible to reach. Upgrade kits from ROCKINGER provide for more safety and comfort.

The remote controls are especially used for tractors where the space according to EG/94/20 is not sufficient to open the towing hitch with the hand lever. Depending on the design, they need less effort and an ergonomic hand lever. All cable winches are particularly well-protected against dirt and corrosion. The additional return springs provide for safe closing. Remote displays and remote controls help to ensure the locking position and thanks to the display in the driver's cab, the driver can save himself additional walks.

1



### Mechanical remote control (40, 50 mm)

For starters, the mechanical remote control enables operation even with towing hitches that are difficult to access.

**Item No.:**

**ROE70962** to R0500XXX3, R0400XXXC, R0530XXXC, R0430XXXC, R0560XXXC

**ROE71676** for R0400XXX1, R0430XXX2

2



### Mechanical remote control, force-amplifying (40, 50 mm)

The force-amplifying variant facilitates remote controlled opening, especially on a twisted articulated train.

**Item No.:**

**ROE71469FA2** to R0500XXX3, R0400XXXC, R0530XXXC, R0430XXXC, R0560XXXC

**ROE71599FA1** for R0400XXX1, R0430XXX2, R0410XXX0, R0413XXX0, R0590XXX1

**ROE71599FA2** for R0410XXX0, R0413XXX0

**ROE71599FA5** for R0590XXX1

3



### Pneumatic remote control

The pneumatic variant brings power and convenience of use to opening and closing the coupling.

**Item No.:**

**ROE71270** for R0500XXX3, R0530XXXC, R0560XXXC

**ROE71461** for R0400XXX1, R0430XXX2

**ROE71459** for R0410XXX0, R0413XXX0

**ROE71645** for R0590XXX1

4



### Electro-pneumatic remote control (40, 50 mm)

This variant facilitates not only coupling and decoupling – it also spares the walk: operation takes place from inside the cabin.

**Item No.:**

**ROE70844C** to R0500XXX3, R0400XXXC, R0530XXXC, R0430XXXC, R0560XXXC



### 5 Mechanical remote displays

The mechanical remote display offers an improvement for checking the locking position of the coupling.

Mechanical, display at the rear (RI-M)

**Item No.:**

**ROE 71410** to R0500XXX3, R0400XXXC, R0530XXXC, R0430XXXC, R0560XXXC

**ROE 71575** for R0400XXX1, R0430XXX2, R0410XXX0, R0413XXX0



### 6 In-cab status indicator (one sensor)

Additional safety is offered by the in-cab status indicator which inspects the locking position of the coupling and displays this position in the cabin. It is not necessary to lay a cable through the truck.

Electric, display at the rear (RI-BR).

**Item No.:**

**ROE71701** for R0400XXX1, R0430XXX2, R0410XXX0, R0413XXX0, R0590XXX1



### 7 In-cab status indicator (one sensor)

Convenient safety is offered by the in-cab status indicate which inspects the locking position of the coupling and displays this in the cabin.

Electric, display in the cab (RI-BC).

**Item No.:**

**ROE70936** to R0500XXX3, R0400XXXC, R0530XXXC, R0430XXXC, R0560XXXC

**ROE71654** for R0400XXX1, R0430XXX2, R0410XXX0, R0413XXX0, R0590XXX1



### 8 In-cab status indicator (two sensors)

The in-cab status indicator offers comprehensive safety which inspects the locking position of the coupling and cable and sensor connections and which shows them on a display in the cab. Electric, display in the cab (RI-E).

**Item No.:**

**ROE71546** for R0400XXX1, R0430XXX2, R0410XXX0, R0413XXX0, R0590XXX1

**ROE71671** for R0567XXXX0



### 9 Drawbar turn angle warning system (50 mm)

The drawbar turn angle warning system protects the vehicle and drawbar against avoidable damages.

**Item No.:**

**ROE70935** to R0500XXX3, R0530XXXC, R0560XXXC

**ROE71588\*** for R0500XXX3

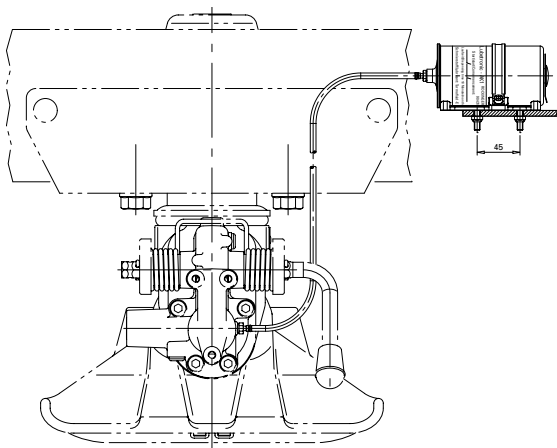
**\* 3 Sensors incl. in-cab status indicator (8)**

# LubeTronic upgrade kit

## LubeTronic – Always lubricates safely

ROCKINGER LubeTronic saves time-consuming, manual lubrication work on the coupling that has to be done during maintenance work.

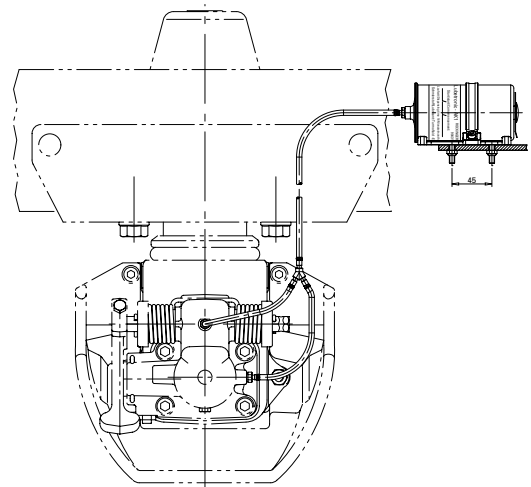
- The cartridge is filled with special oil and an ideal supplement for the lubrication filling of the coupling.
- It has a product life of up to two years, depending on the model.
- There are two models available: one with two lubricating points (LubeTronic AK2) and the other one with one lubricating point (LubeTronic AK1).



### Item No.: LubeTronic AK1

**ROE71624-1** for R0400, R0430, R05410, R0413,  
R0500, R0530, R0560, R0590

It can be delivered as of October 2008.



### Item No.: LubeTronic AK2

**ROE71624-2** for R0570, R0576

It can be delivered as of October 2008.

More information regarding our range of products can be found at [www.jost-world.com](http://www.jost-world.com)

**JOST**

