

# Pro Tech Slider



## Pro Tech Slider the most lightweight slider on the market

Profile Technology – two integrated, high-strength steel sections with precision-lasered windows

### Weight advantage

- The weight is reduced by 25 kg and more compared to similar products of competitors
- In the Direct Mount Slider version, the weight can be reduced by additional 30 kg due to the omission of the angles

### Safety

- there is a double wrap-around, making the profile extremely safe
- Self-locking mechanics, meaning the blocking pieces will always remain in the right position

### Variability

- Optimal relation of "traversing length to overall length"

### Comfort

- High operating comfort
- All versions equipped with pneumatic

[www.jost-world.com](http://www.jost-world.com)

**JOST**

# Pro Tech Slider

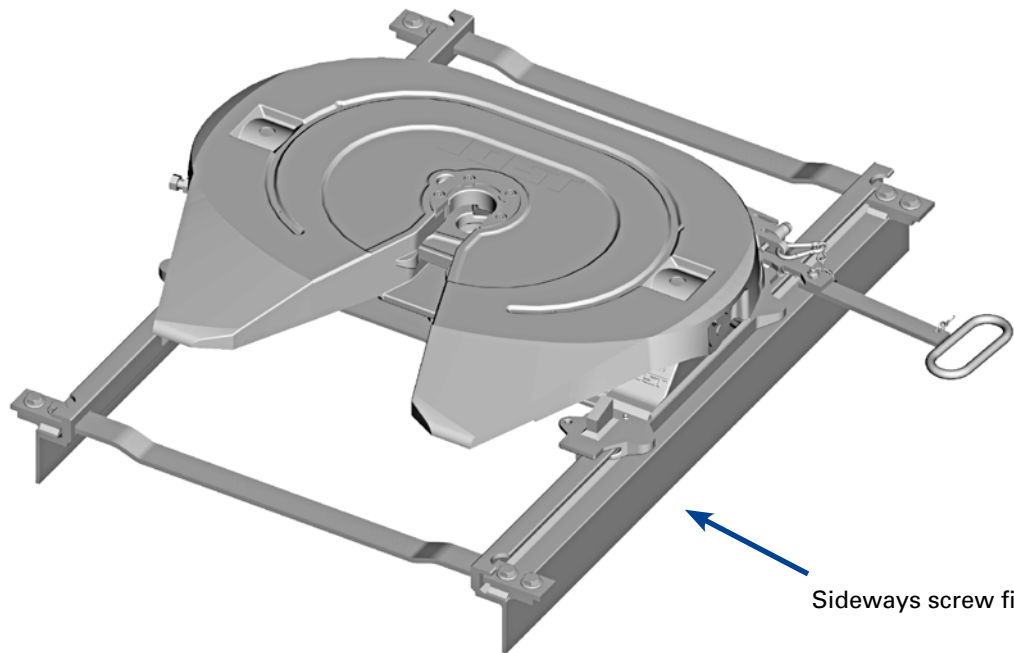
## Further equipment options

- Mounting version for DIN pedestals
- 2 position slider (especially suitable for refrigerated transporters)
- Sensors

## Direct Mount and Outboard Slider version

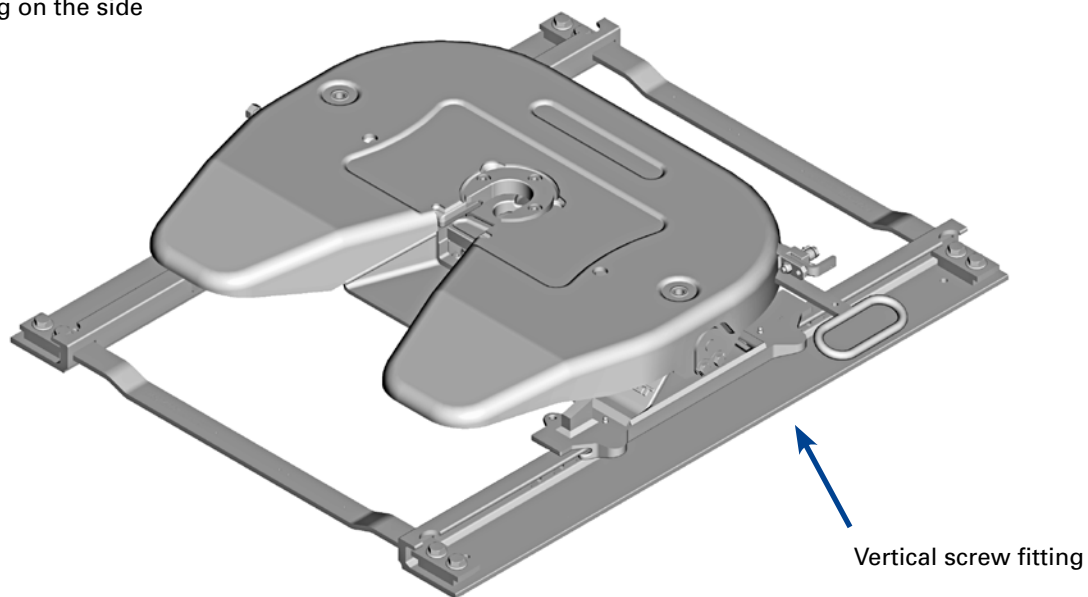
### Direct Mount Slider

directly mounted on the main frame



### Outboard Slider

Screw fitting on the side



More information regarding our range of products can be found at [www.jost-world.com](http://www.jost-world.com)

**JOST**

**R**  
ROCKINGER

**REGENSBURGER**  
ZUGGABEL

**TRIDEC**