



## Now standard with LubeTronic

### Saves time

- Does away with time consuming maintenance work
- LubeTronic provides fully automatic lubrication of the lock jaw
- No lubrication necessary on the coupling plate thanks to the top plate liners

### Protects the environment and resources

- LubeTronic works with special high-performance grease
- In combination with the special coating on the lock jaw, only minimal grease is consumed

### Versatile and convenient

- Suitable for use in hazardous-cargo vehicles
- Ideal for long distance traffic and tanker applications
- Maintenance-free rubber joint bearings with shock absorption

### Durable

- Life span of LubeTronic: 3 years or 300,000 km, whichever arises first

# JSK 37CW / JSK 42W

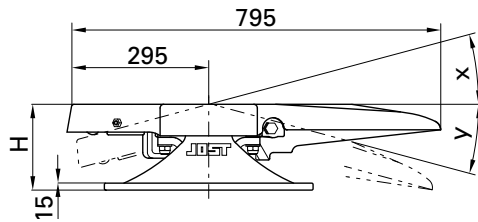
## Technical Specification

Rubber bearing (JSK 37CW) / Slide bearing (JSK 42W)

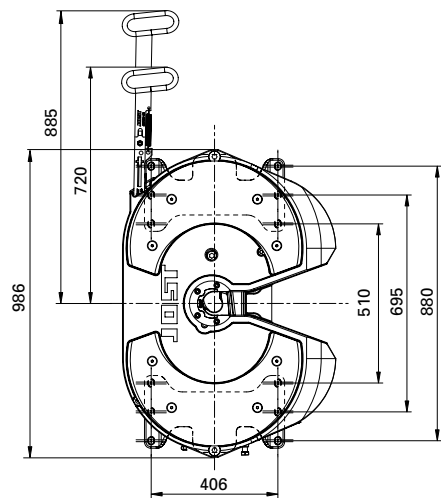
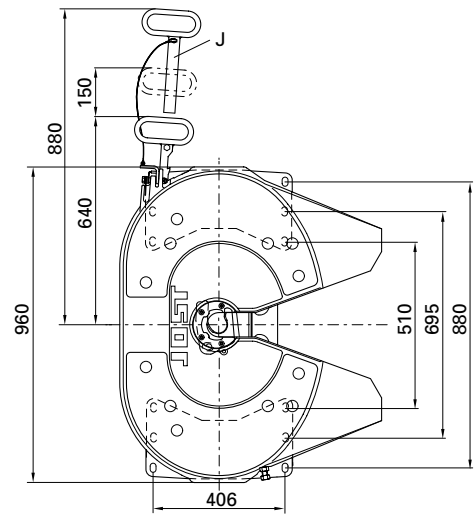
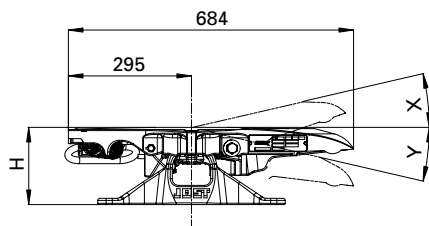
The fifth wheel coupling complies with the following directives / standards: 94/20/EC - Class G50, DIN 74081, ISO 3842. Suitable for mounting 2" king pins (50) as per 94/20/EC, DIN 74080, ISO 337 and steering wedges as per 94/20/EC, DIN 74085u.

LubeTronic: EMC authorisation in accordance with 72/245/EEC

## JSK 37CW



## JSK 42W



## Selection table / Versions available

Order No. (old) without LubeTronic	Order No. (new) with LubeTronic	H (mm)	D value (kN)	Imposed load U (t)	Weight (kg)	Approval (EC)	WA	ZL	X	Y
JSK 37 C150 WJ	JSK 37 C0 20 87 AA	150	152.0	20	150.0	e1 00-0116	W	J	15°	15°
JSK 37 C185 WJ	JSK 37 C0 38 87 AA	185	152.0	20	153.0	e1 00-0116	W	J	15°	15°
JSK 37 C250 WJ	JSK 37 C0 70 87 AA	250	152.0	20	169.0	e1 00-0116	W	J	15°	15°
JSK 37 C300 WJ	JSK 37 C0 80 87 AA	300	152.0	20	179.0	e1 00-0116	W	J	15°	15°
JSK 42 K0 20 39 AA	JSK 42 K0 20 87 AA	150	152.0	20	127.0	e1 00-1245	W	J	12°	12°
JSK 42 K0 38 39 AA	JSK 42 K0 38 87 AA	185	152.0	20	125.0	e1 00-1245	W	J	15°	15°
JSK 42 K0 57 39 AA	JSK 42 K0 57 87 AA	225	152.0	20	130.0	e1 00-1245	W	J	15°	15°
JSK 42 K0 70 39 AA	JSK 42 K0 70 87 AA	250	152.0	20	135.0	e1 00-1245	W	J	15°	15°

More models upon request

### Explanations:

WA / Maintenance

W = Low-maintenance version with top plate liners and LubeTronic

ZL / Handle length

J = Long handle

LubeTronic add-on kit:

SKE004070100

More information regarding our range of products can be found at [www.jost-world.com](http://www.jost-world.com)

