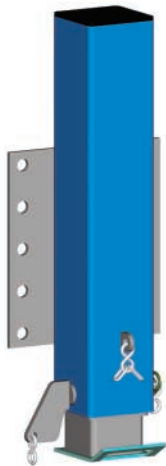
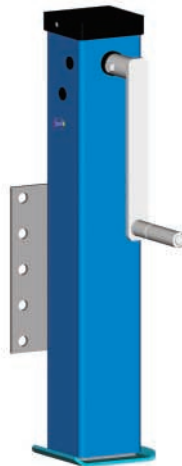


Drawbar landing legs

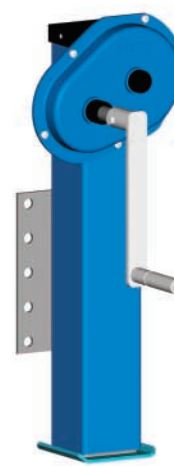
Fixed legs



Drop leg

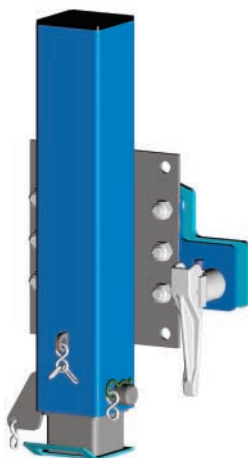


Single speed leg

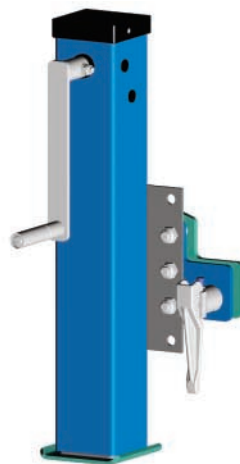


2-speed leg

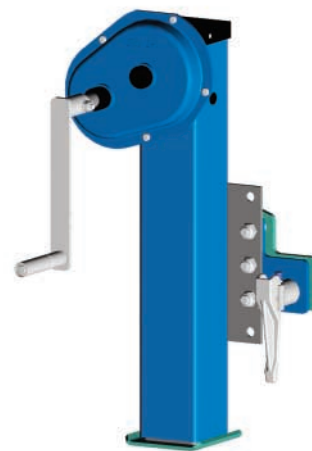
Swivelling model



Drop leg with pivot bearing



Single speed leg with pivot bearing



2-speed leg with pivot bearing

www.jost-world.com

For all central axle trailers

Both for road traffic and agricultural use

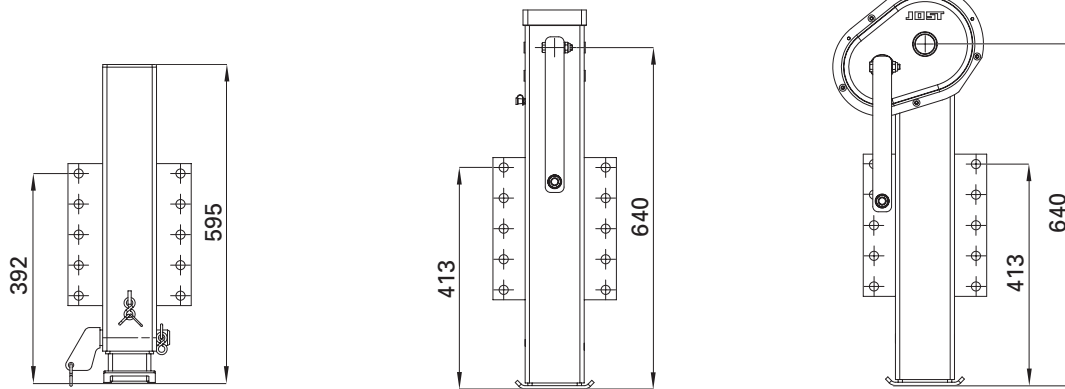
The legs can be welded or bolted on.

Swivelling model

- Added ground clearance (with swivel joint)
- Modularly upgradeable by means of separate pivot bearing

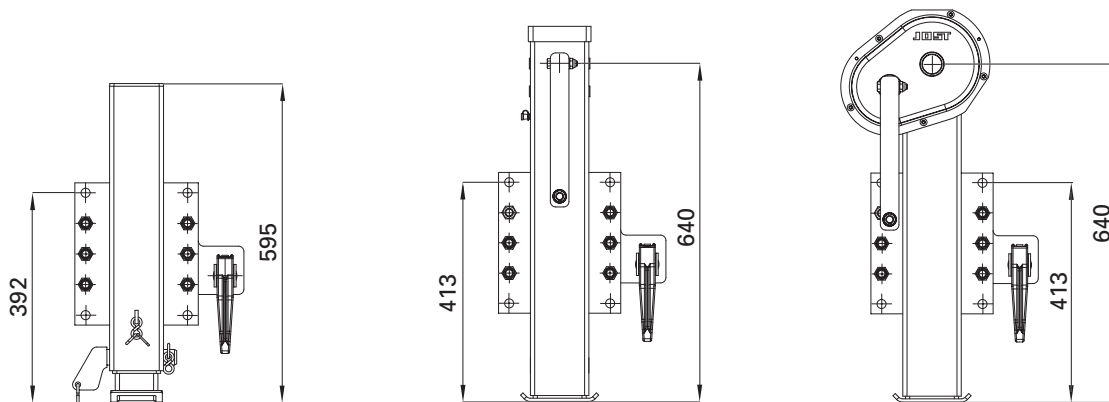
JO ST

Drawbar landing legs



Fixed legs

| Order No. | Designation | Static load (t) | Lifting capacity (t) | Lift (mm) |
|-----------|------------------|-----------------|----------------------|------------|
| SD0702700 | Drop leg | 5 | - | 160 + 4x50 |
| SD1312700 | Single speed leg | 10 | 2 | 370 |
| SD2312700 | 2-speed leg | 12 | 10 | 370 |



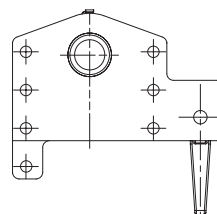
Swivelling model

| Order No. | Designation | Static load (t) | Lifting capacity (t) | Lift (mm) |
|-------------|-------------------------------------|-----------------|----------------------|------------|
| SD0702700B4 | Drop leg with pivot bearing | 5 | - | 160 + 4x50 |
| SD1312700B4 | Single speed leg with pivot bearing | 5 | 2 | 370 |
| SD2312700B4 | 2-speed leg with pivot bearing | 5 | 5 | 370 |

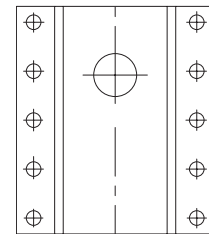
Pivot bearing JS E010.013, with bolt kit JS E020.005 included loose

Accessories

| Order No. | Designation |
|-------------|------------------------------|
| JS E010.013 | Pivot bearing |
| JS E020.005 | Bolt kit (12 bolts and nuts) |
| JS E020.003 | Back plate |
| JS U31 | Tandem crank handle, folding |
| JS U32 | Tandem crank handle, rigid |



Order No. JS E010.013



Order No. JS E020.003

More information regarding our palette of products can be found at www.jost-world.com

JOOST

ROCKINGER

REGENSBURGER ZUGGABEL