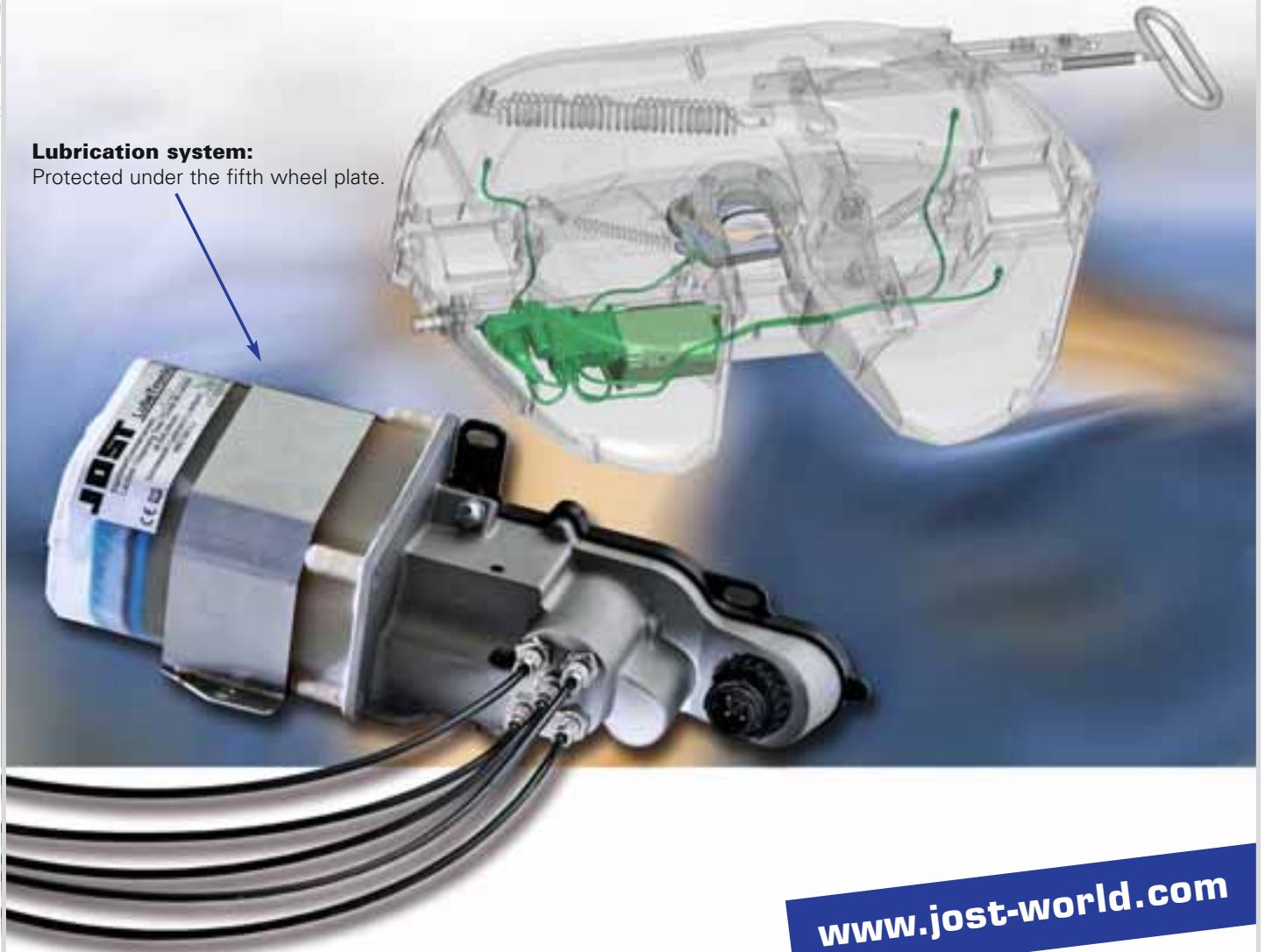


# JSK 42 with LubeTronic-5Point

## Lubrication system:

Protected under the fifth wheel plate.



[www.jost-world.com](http://www.jost-world.com)

## LubeTronic-5Point

### The central lubrication system for fifth wheel couplings

#### Never lubricate by hand again

- LubeTronic-5Point is a central lubrication system for fifth wheel couplings
- The constantly emitted grease provides reliable lubrication for the fifth wheel coupling plate and the lock jaw.
- The lubricant dispersion can be set to two different levels:
  - a) for operation requiring a low lubricant use (e.g. occasional coupling, long distance traffic)
  - b) for operation requiring a high lubricant use (e.g. frequent coupling, construction site)
- environmentally friendly and low-consumption due to electronic dosing

#### Simple and safe

- The emitted volume of lubricant is dosed electronically. In case additional lubricant is required, lubricant dispersion can be initiated manually.
- Sufficient lubricant for about 1 year
- Electronic fill level control with an LED display
- Refillable using lubricating nipples

*Only JOST lubricant refill should be used to ensure safe operation in all operating conditions!*

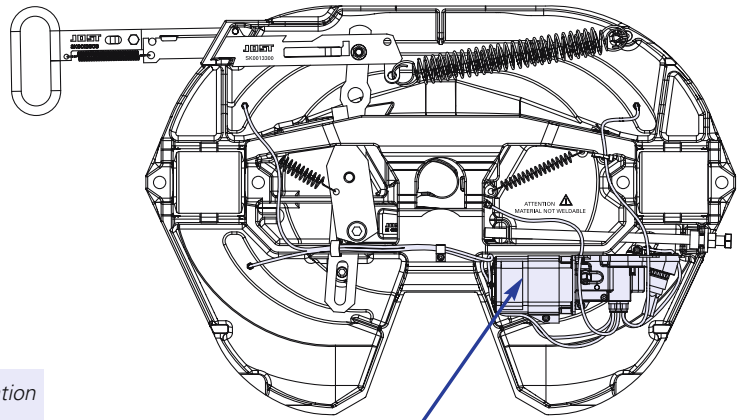
**JOST**

# JSK 42 with LubeTronic-5Point

## Technical Specifications

The fifth wheel coupling meets the following directives/standards: 94/20EC - Class G50, DIN 74081, ISO 3842, 72/245/EEC in the version of 2006/28/EC

The scope of delivery includes the fifth wheel coupling plate with LubeTronic as well as a connection cable: SKE005680000/length 9.5m



LubeTronic-5Point

*Only JOST lubricant refill should be used to ensure safe operation in all operating conditions!*

Order No.	Imposed load U (t)	D value (kN)	Weight (kg)	Mounting height (mm)	Customer hole pattern	Approval (EC)	ZL
JSK 42 K0 20 J5 AA	20	152	130	150	DIN	e1 00-1245	K
JSK 42 K0 20 F9 AA	20	152	130	150	DIN	e1 00-1245	J
JSK 42 K0 38 J5 AA	20	152	128	185	DIN	e1 00-1245	K
JSK 42 K0 38 F9 AA	20	152	128	185	DIN	e1 00-1245	J
JSK 42 K0 57 J5 AA	20	152	133	225	DIN	e1 00-1245	K
JSK 42 K0 57 F9 AA	20	152	133	225	DIN	e1 00-1245	J
JSK 42 K0 70 J5 AA	20	152	138	250	DIN	e1 00-1245	K
JSK 42 K0 70 F9 AA	20	152	138	250	DIN	e1 00-1245	J
JSK 42 K2 20 J5 AA	20	152	136	150	MAN	e1 00-1245	K
JSK 42 K2 20 F9 AA	20	152	136	150	MAN	e1 00-1245	J
JSK 42 K2 40 J5 AA	20	152	142	190	MAN	e1 00-1245	K
JSK 42 K2 40 F9 AA	20	152	142	190	MAN	e1 00-1245	J
JSK 42 K2 57 J5 AA	20	152	144	225	MAN	e1 00-1245	K
JSK 42 K2 57 F9 AA	20	152	144	225	MAN	e1 00-1245	J
JSK 42 K3 20 J5 AA	20	152	133	150	Daimler	e1 00-1245	K
JSK 42 K3 20 F9 AA	20	152	133	150	Daimler	e1 00-1245	J
JSK 42 K3 40 J5 AA	20	152	138	190	Daimler	e1 00-1245	K
JSK 42 K3 40 F9 AA	20	152	138	190	Daimler	e1 00-1245	J
JSK 42 K3 57 J5 AA	20	152	140	225	Daimler	e1 00-1245	K
JSK 42 K3 57 F9 AA	20	152	140	225	Daimler	e1 00-1245	J
JSK 42 K4 20 J5 AA	20	152	137	150	DAF	e1 00-1245	K
JSK 42 K4 20 F9 AA	20	152	137	150	DAF	e1 00-1245	J
JSK 42 K6 20 J5 AA	20	152	133	150	Iveco	e1 00-1245	K
JSK 42 K6 20 F9 AA	20	152	133	150	Iveco	e1 00-1245	J
JSK 42 K6 40 J5 AA	20	152	138	190	Iveco	e1 00-1245	K
JSK 42 K6 40 F9 AA	20	152	138	190	Iveco	e1 00-1245	J
JSK 42 K6 57 J5 AA	20	152	140	225	Iveco	e1 00-1245	K
JSK 42 K6 57 F9 AA	20	152	140	225	Iveco	e1 00-1245	J

## Explanations

ZL / Handle length  
J = Long handle  
K = Short handle

## Spare parts

SKE 004080000 LubeTronic-5Point  
SKE 005680000 connection cable  
SKE 005670000 lubricant refill

More information regarding our range of products can be found at [www.jost-world.com](http://www.jost-world.com)

**JOST**

**R**  
ROCKINGER

**REGENSBURGER**  
ZUGGABEL

**TRIDEC**