

BPW ECO



www.jost-world.com

Special axle caps and hubodometers

fits BPW axles of the type ECO

Axle Caps

- for mounting directly on the wheel hub
- in combination with the Hubodometer type JK ... the space between the capped nut is ensured
- always within the contours of traditional wheel sizes due to its flat construction
- BPW axle guarantee remains

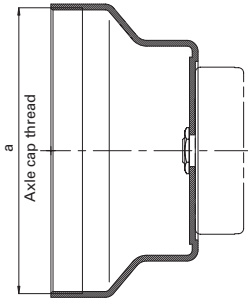
Hubodometers

- Hermetically sealed meter
- Maintenance-free
- Tamper-proof
- No build-up of condensation
- long-lasting corrosion resistance
- Records distances, six-digit display, even in reverse gear
- Available for almost every tyre size

JOST

BPW ECO

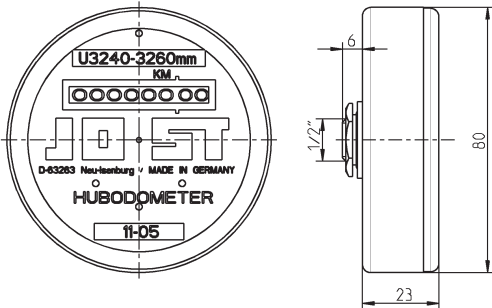
Special axle caps with a hole in the centre



Order No.	Connection for axle cap thread a	Axle load 6,5-9 t	Axle load 10-12 t
JHU 0000200	M136 x 2,5	H...ECO-Plus, HS...ECO-Plus	H...ECO*, H...ECO-Maxx*, H...ECO-Plus,
		HZ...ECO-Plus, KH...ECO-Plus	HS...ECO-Plus, HZ...ECO-Plus,
		KHZ...ECO-Plus	KH...ECO*, KH...ECO-Maxx*, KH...ECO-Plus, NH...ECO*, NH...ECO-Maxx*, NZ...ECO-Maxx*
JHU 0000201	M135 x 2	H...ECO, H...ECO-Maxx, HS...ECO, HS...ECO-Maxx, HZ...ECO, HZ...ECO-Maxx, KH...ECO, KH...ECO-Maxx, KHS...ECO, KHZ...ECO, NH...ECO, NH...ECO-Maxx, NZ...ECO, NHZ...ECO, NRZ...ECO	H...ECO*, H...ECO-Maxx*, HS...ECO, HZ...ECO, KH...ECO*, KH...ECO-Maxx*, KHZ...ECO, NH...ECO*, NH...ECO-Maxx*, NZ...ECO, NRZ...ECO, NHZ...ECO
JHU 0000202	M125 x 2	H...ECO, H...ECO-Maxx, HS...ECO, HS...ECO-Maxx, HZ...ECO, HZ...ECO-Maxx, KH...ECO, KH...ECO-Maxx, KHS...ECO, KHZ...ECO, NH...ECO, NH...ECO-Maxx, NZ...ECO, NHZ...ECO, NRZ...ECO	

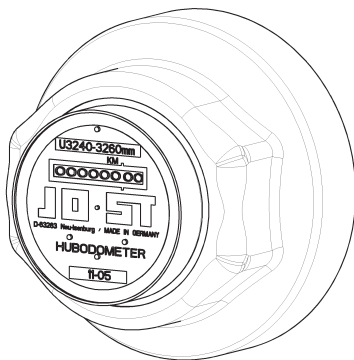
* modified axle cap thread as of 09/00 (M135 x 2 in M136 x 2.5).
Observe thread size engraved in the original axle cap.

JOST hubodometer type JK



Order No.	Rolling circumference (mm)
JK 1605	U 1605
JK 1715	U 1715
JK 1810	U 1810
JK 2170	U 2170
JK 2350	U 2350
JK 2425	U 2425
JK 2464-2520	U 2464-2520
JK 2560	U 2560
JK 2790	U 2790
JK 2830-2860	U 2830-2860
JK 2915	U 2915
JK 3015-3134	U 3015-3134
JK 3175-3220	U 3175-3220
JK 3240-3260	U 3240-3260
JK 3280-3310	U 3280-3310
JK 3410-3470	U 3410-3470
JK 3740	U 3740

Axle caps with mounted JOST hubodometer



Order No.	Rolling circumference	Connection for axle cap thread a
JHU 0000210	U 2790	M 125 x 2
JHU 0000211	U 3240-3260	M 125 x 2
JHU 0000212	U 3175-3220	M 135 x 2
JHU 0000213	U 3410-3470	M 135 x 2
JHU 0000214	U 2790	M 136 x 2,5
JHU 0000215	U 3015-3134	M 136 x 2,5
JHU 0000216	U 3175-3220	M 136 x 2,5
JHU 0000217	U 3240-3260	M 136 x 2,5
JHU 0000218	U 3280-3310	M 136 x 2,5

Included in supply

- Axle caps with mounted JOST Hubodometer

More information regarding our range of products can be found at www.jost-world.com

JOST

ROCKINGER

REGENSBURGER ZUGGABEL