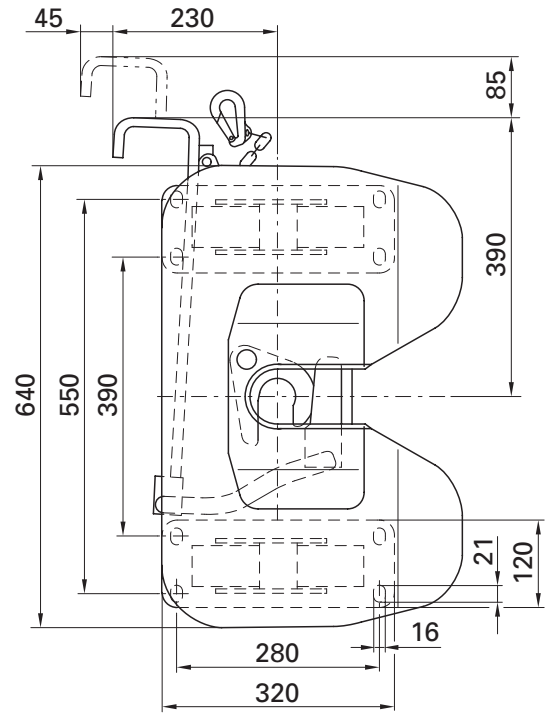
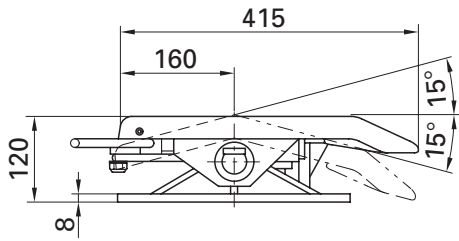


Fifth wheel coupling JSK 3-2

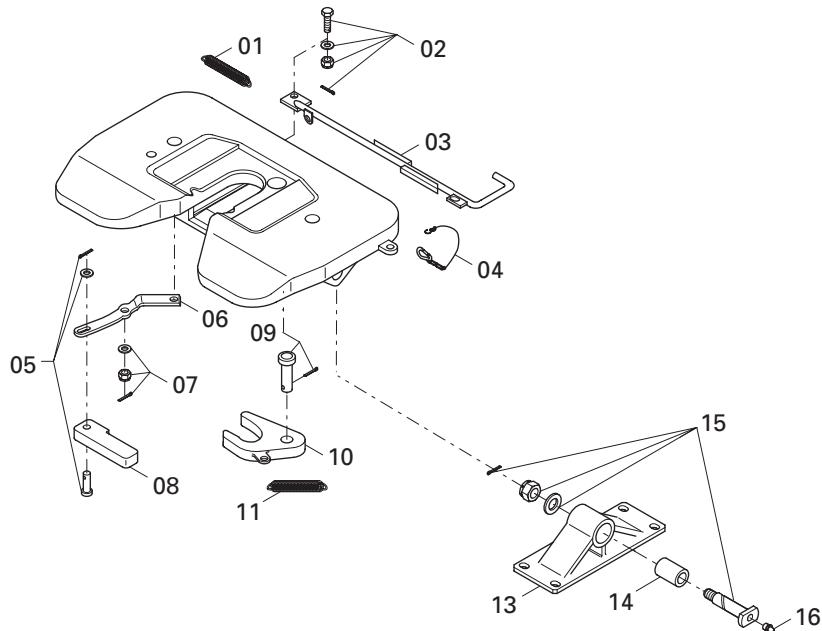
Technical Specification

Pressed steel design with pivot bearings.
Suitable for 2" king pins (50) as per DIN 74080 / ISO 337. Not approved for forced steering semi-trailers.



Order No.	D value (kN)	Imposed load U (t)	Weight (kg)	Approval (EC)
JSK 3-2	38.0	5	35.0	e1 00-1043

Spare parts



Item	Description	Remark	Order No.	per JSK	Item	Description	Remark	Order No.	per JSK
01	Double tension spring		SK 3105-152	1	08	Locking bolt		SK 2605-21	1
02	Hexagon bolt	compl.	SK 2621-54	1	09	Bolt	compl.	SK 2621-51	1
03	Handle		SK 2605-23	1	10	Lock jaw		SK 2605-20	1
04	Spring hook		SK 1436	1	11	Tension spring		SK 847	1
05	Bar bolt	compl.	SK 2621-53	1	13	Pedestal	compl. with 14 + 16	SK 2604-05	2
06	Lever		SK 2605-22	1	14	Bush		SK 2604-04	2
07	Castle nut	compl. from 9713110101	SK 2621-56	1	15	Spring bolt	compl. with 16	SK 2621-02	2
07	Hexagon nut	compl. to 9713090150	SK 2621-55	1	16	Taper grease nipple		SK 2121-02	2