

Modul CB

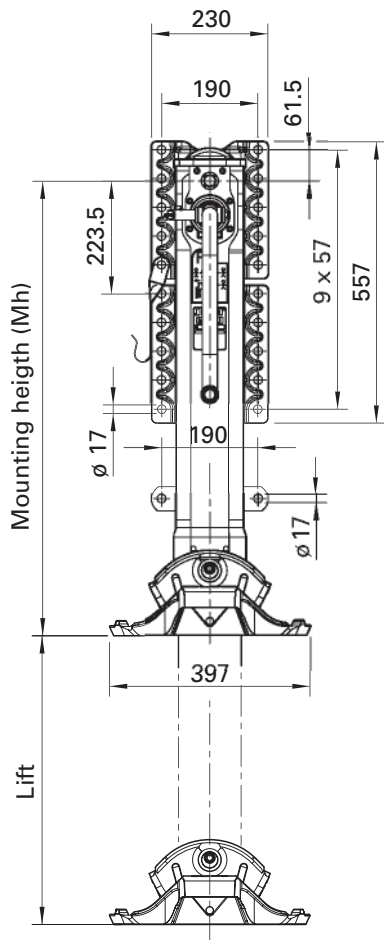
with two side operation

Advantages at a glance

- two side operation
- reduced crank force
- operation from either side alone is possible

Technical Specification

- special handle for two side operation



Technical data (per set)

Modul B

Lifting capacity	24 t
Static load	50 t
	36 t with R-foot (wheels)
Lift per turn of handle	
- Low gear	0,9 mm
- High gear	15,0 mm
Crank force at 16 t super imposed load	110 N

Range of feet



S-foot



A-foot



R-foot (wheels)



T-foot



TC-foot

JUST

Selection table

Order No.	Mh	Lift	Back plate	Feet
CB201110000	900			S
CB201120000	900			A
CB201130000	943	560	upper	R
CB201140000	900			T
CB201160000	850			TC
CB201210000	900			S
CB201220000	900			A
CB201230000	943	560	lower	R
CB201240000	900			T
CB201260000	850			TC
CB201310000	900			S
CB201320000	900			A
CB201330000	943	560	double	R
CB201340000	900			T
CB201360000	850			TC

Order No.	Mh	Lift	Back plate	Feet
CB202110000	850			S
CB202120000	850			A
CB202130000	893	520	upper	R
CB202140000	850			T
CB202160000	800			TC
CB202210000	850			S
CB202220000	850			A
CB202230000	893	520	lower	R
CB202240000	850			T
CB202260000	800			TC
CB202310000	850			S
CB202320000	850			A
CB202330000	893	520	double	R
CB202340000	850			T
CB202360000	800			TC

Order No.	Mh	Lift	Back plate	Feet
CB203110000	800			S
CB203120000	800			A
CB203130000	843	470	upper	R
CB203140000	800			T
CB203160000	750			TC
CB203210000	800			S
CB203220000	800			A
CB203230000	843	470	lower	R
CB203240000	800			T
CB203260000	750			TC
CB203310000	800			S
CB203320000	800			A
CB203330000	843	470	double	R
CB203340000	800			T
CB203360000	750			TC

Order No.	Mh	Lift	Back plate	Feet
CB204110000	750			S
CB204120000	750			A
CB204130000	793	430	upper	R
CB204140000	750			T
CB204160000	700			TC
CB204210000	750			S
CB204220000	750			A
CB204230000	793	430	lower	R
CB204240000	750			T
CB204260000	700			TC
CB204310000	750			S
CB204320000	750			A
CB204330000	793	430	double	R
CB204340000	750			T
CB204360000	700			TC

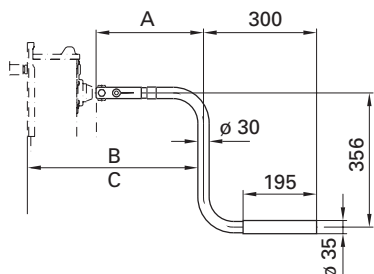
Order No.	Mh	Lift	Back plate	Feet
CB205110000	700			S
CB205120000	700			A
CB205130000	743	400	upper	R
CB205140000	700			T
CB205160000	650			TC
CB205210000	700			S
CB205220000	700			A
CB205230000	743	400	lower	R
CB205240000	700			T
CB205260000	650			TC
CB205310000	700			S
CB205320000	700			A
CB205330000	743	400	double	R
CB205340000	700			T
CB205360000	650			TC

Order No.	Mh	Lift	Back plate	Feet
CB206110000	650			S
CB206120000	650			A
CB206130000	693	350	upper	R
CB206140000	650			T
CB206160000	600			TC
CB206210000	650			S
CB206220000	650			A
CB206230000	693	350	lower	R
CB206240000	650			T
CB206260000	600			TC
CB206310000	650			S
CB206320000	650			A
CB206330000	693	350	double	R
CB206340000	650			T
CB206360000	600			TC

In order to complete your order for a Modul C please order the required crank handle and, if applicable, connection shaft separately.

Special handle

Order No.	A	B (Low gear)	C (High gear)
JS U20	285	534	553
JS U21	385	634	653
JS U22	405	654	673
JS U23	450	699	718
JS U24	505	754	773
JS U25	550	799	818



Connection shaft

Order No.	Length of connection shaft
JS L01	1340
JS L02	1450
JS L03	1470
JS L04	1500
JS L05	1505
JS L06	1575
JS L07	1605
JS L08	1635
JS L09	1700
JS L10	1790

JUST