

**BEST BRAND**

Reader's Choice 2005-2009:  
Best towing hitch!

**RO★244**



## Industrial truck towing hitch with safety indicator display and EC authorisation

- Clear safety indicator
- EC tested and authorised
- Can be mounted upside down (rotated 180°)
- Version engaged by pedal release

### Technical data

D value	Up to 42 kN
V value	Up to 12 kN
Static load	Up to 250 kg

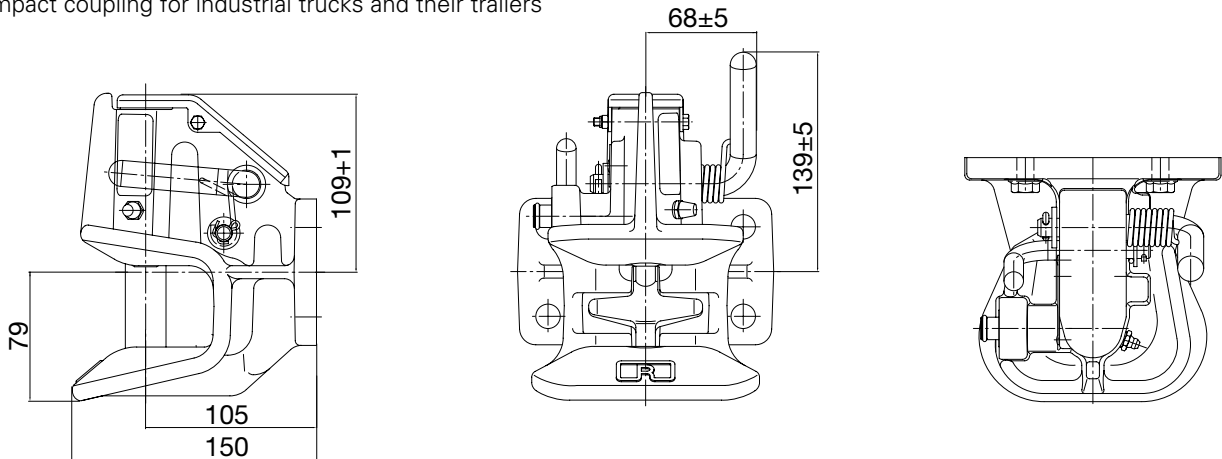
[www.jost-world.com](http://www.jost-world.com)

**JOST**

# RO★244

## Technical Specifications

Compact coupling for industrial trucks and their trailers

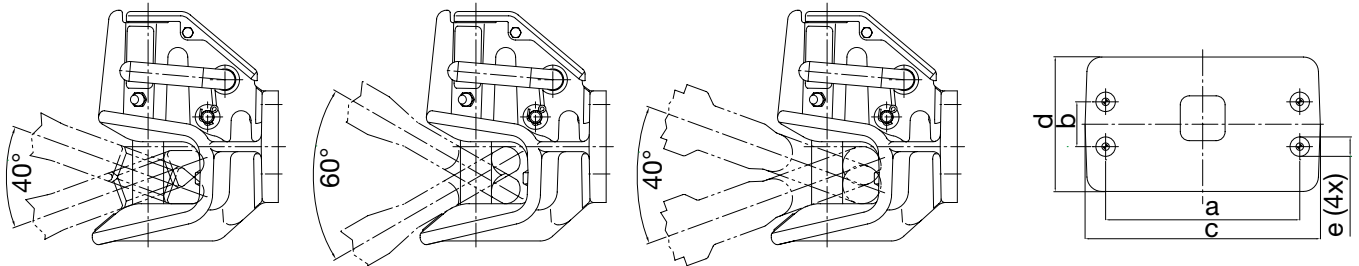


For towing eyes

1) DIN 74054

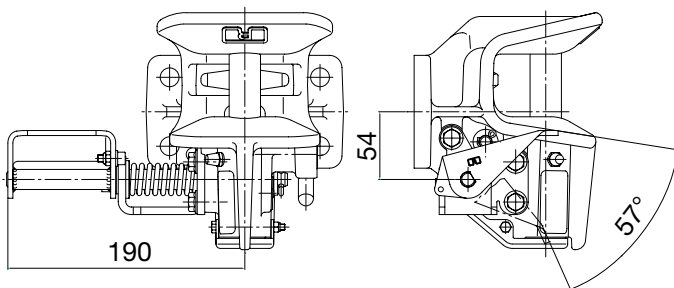
2) DIN 8454

3) CUNA 438/40



**RO244Lxxx2:**

with pedal release



	a (mm)	b (mm)	c (mm)	d (mm)	e (mm)
07	130,0	30,0	155,0	90,0	13,0
115	83,0	56,0	155,0	90,0	10,5
135	120,0	55,0	155,0	90,0	15,0

										e1
	A		(mm)	D (kN)	Dc (kN)	S (kg)	V (kN)	(kg)		
RO244A07002	A	07	130x30	42	30/18	250	8,4/12	6	00-1803	
RO244A11002	A	115	83x56	42	30/18	250	8,4/12	6	00-1803	
RO244A35002	A	135	120x55	42	30/18	250	8,4/12	6	00-1803	
RO244L07002	-	07	130x30	42	30/18	250	8,4/12	7	00-1803	
RO244L35002	-	135	120x55	42	30/18	250	8,4/12	7	00-1803	

More information regarding our range of products can be found at [www.jost-world.com](http://www.jost-world.com)

**JOST**

**R**  
ROCKINGER

**REGENSBURGER**  
ZUGGABEL

**TRIDEC**