

RO★40 E

BEST BRAND

Reader's Choice 2005-2009:
Best towing hitch!



The exclusive 40 mm towing hitch to satisfy all your requirements!

- Proven ROCKINGER release lever technology
- Future-proof: prepared for the new sensor technology
- Safe and exact release lever
- Simple and problem-free hitching and release – even under difficult drawbar eye angles conditions
- Always ready to engage
- Even simpler installation through new fallback system
- Rotatable pin – constant wear
- Upgradable with various remote controls and indicators
- EC-approval
- Practice-oriented load values

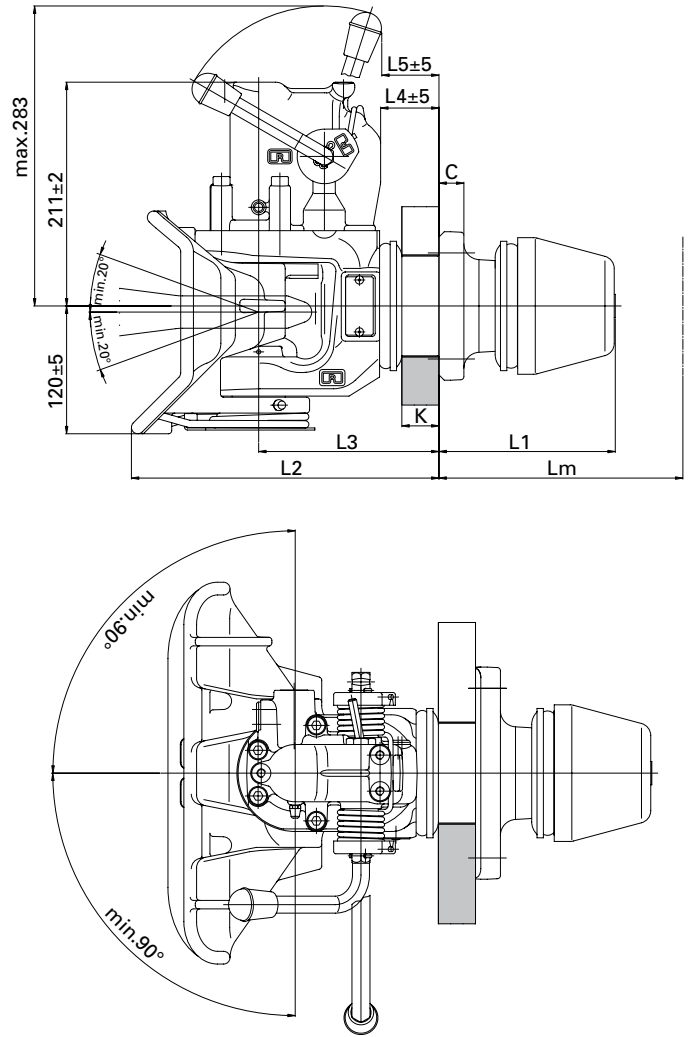
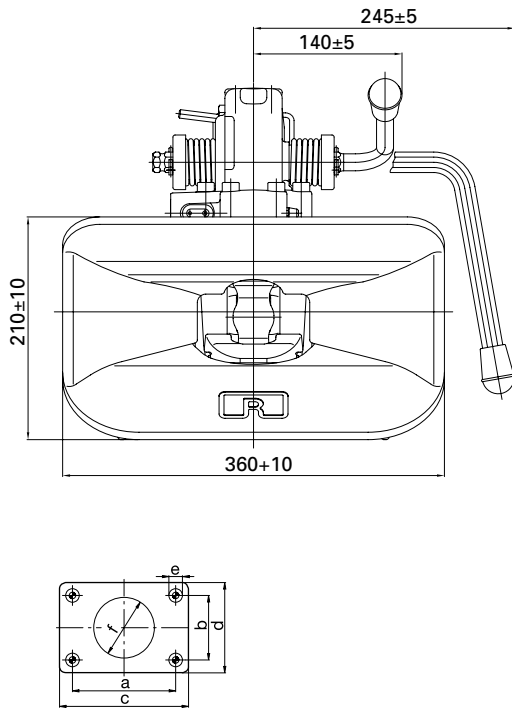
www.jost-world.com

JOST

RO★40 E

Technical specifications

Fully automatic towing hitch,
Suitable for towing eye 40 DIN 74054 and Class S (EG)



	a (mm)	b (mm)	c (mm)	d (mm)	e (mm)	f (mm)
135	120,0	55,0	155,0	90,0	15,0	74,0
145	140,0	80,0	180,0	120,0	17,0	84,0
150	160,0	100,0	200,0	140,0	21,0	94,0

	L1 (mm)	L2 (mm)	L3 (mm)	L4 (mm)	L5 (mm)	K (mm)	C (mm)	Lm (mm)
135	147,0	286,0	166,0	51,0	45,0	11,0-32,0	22,0	180,0
145	166,0	290,0	170,0	55,0	50,0	11,0-35,0	23,5	230,0
150	166,0	290,0	170,0	55,0	50,0	11,0-35,0	23,5	230,0

	A B	(mm)	R D (kN)	T C Dc (kN)	S (kg)	V (kN)	(kg)	e1	ROE
RO410A36500	135	120 x 55	70	70,0	700	24,0	30,0	00-1607	70970
RO410B36500	135	120 x 55	70	70,0	700	24,0	30,0	00-1607	70970
RO410A46500	145	140 x 80	100	90,5	1000	50,0	33,0	00-1601	70952
RO410B46500	145	140 x 80	100	90,5	1000	50,0	33,0	00-1601	70952
RO410A51500	150	160 x 100	168	90,5	1000	50,0	33,0	00-1600	70971
RO410B51500	150	160 x 100	168	90,5	1000	50,0	33,0	00-1600	70971

Mechanical remote control*

powered opening:

ROE 71559 FA

Pneumatic remote control*

powered opening / closing:

ROE 71459

Remote display*

mechanical:

ROE 71575

electrical, display in the cabin:

ROE 71654

electrical, display at the rear end:

ROE 71701

electronic, display in the cabin:

ROE 71546

* Repair instructions and parts lists on request!

More information regarding our range of products can be found at www.jost-world.com

JOST

R
ROCKINGER

REGENSBURGER
ZUGGABEL

TRIDEC