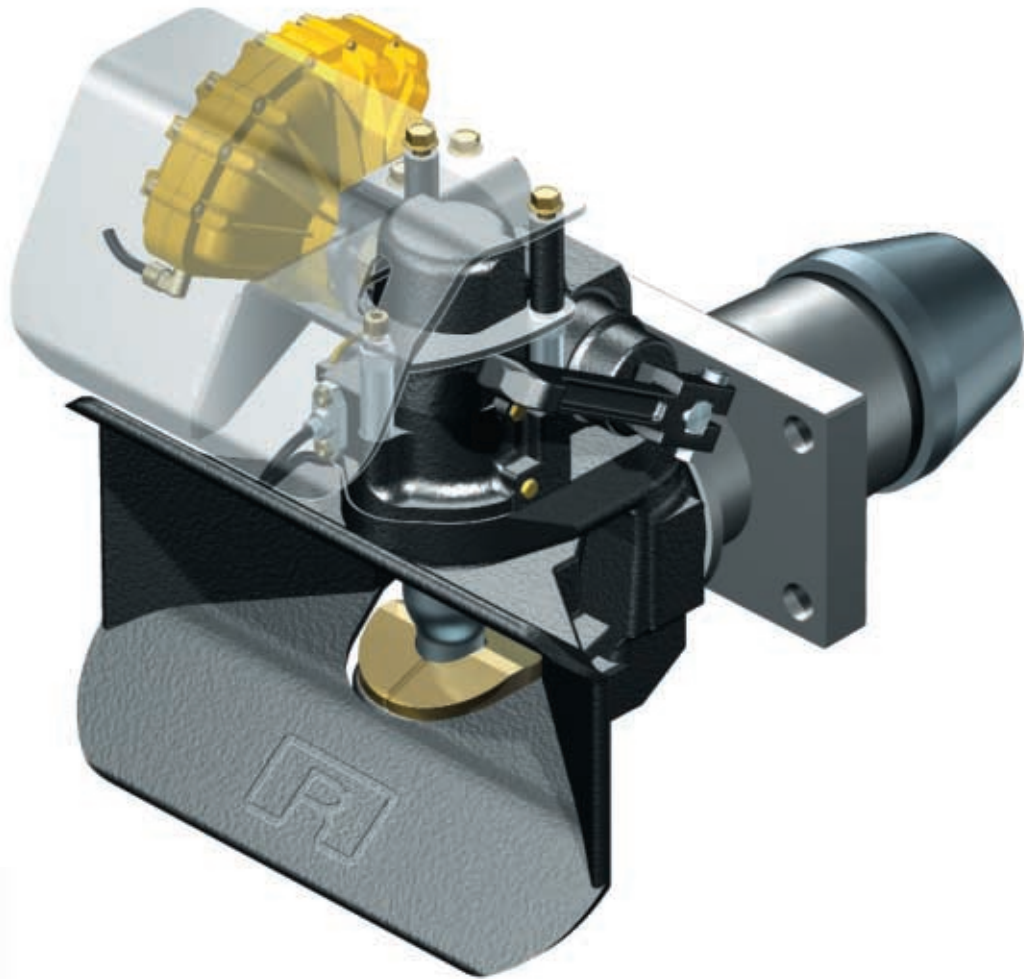


RO★500 G 65



The universal 50 mm towing hitch

- High load rating makes possible use with heavy central-axle trailers as well
 - D value of 200 kN
 - V value up to 90 kN
 - Static load up to 2,500 kg
- Low-maintenance through special grease filling
- Easy to service through ROCKINGER modular system
- Available for delivery with pneumatic remote control, either from factory or as upgrade kit
- Also with new mechanical remote control

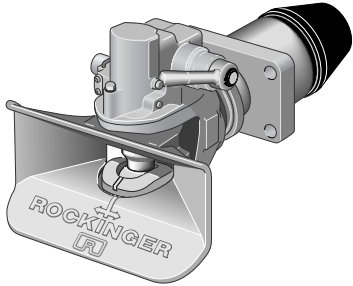
www.jost-world.com

JOST

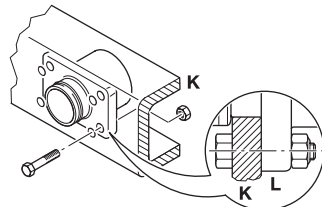
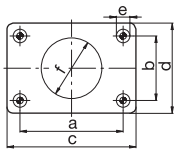
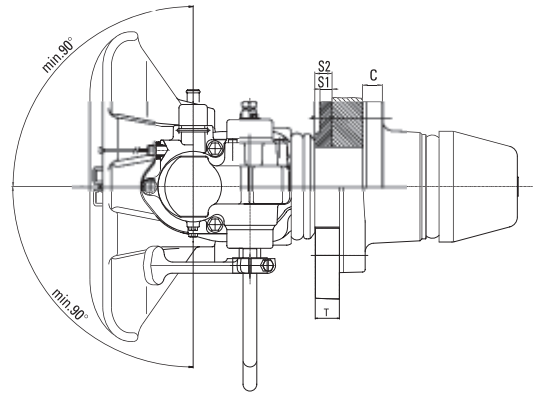
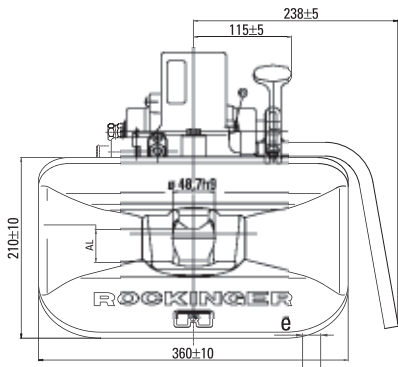
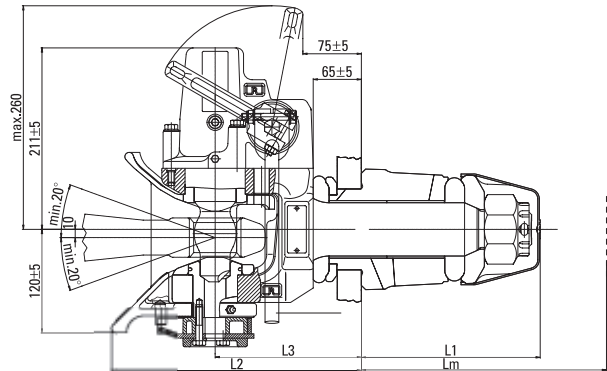
RO★500 G 65

Technical data

50 mm standard towing hitch



a = 50 mm
DIN 74053,
94/20/CE
ISO 1102,
ROE57005



	L1 (mm)	L2 (mm)	L3 (mm)	Lm (mm)	C (mm)	S1/S2 (mm)
65	214	299	170	min. 285	30	-

	a (mm)	b (mm)	c (mm)	d (mm)	e (mm)	f (mm)
6	160,0	100,0	200,0	140,0	21,0	94,0

	K (mm)	K (mm)
65	13-28	max. 28

	A/B	(mm)	R D (kN)	C Dc (kN)	S (kg)	V (kN)	(kg)	e1		
RO500A65003	A	65	200	135,0	1000	90	45	00-1468		
RO500A65003	B	65	200	135,0	2500	55	45	00-1468		
RO500B65003	A	65	200	135,0	1000	90	45	00-1468		
RO500B65003	B	65	200	135,0	2500	55	45	00-1468		
RO500A65403	A	65	200	135,0	1000	90	48	00-1468	x	x
RO500A65403	B	65	200	135,0	2500	55	48	00-1468	x	x
RO500A65202	A	65	200	135,0	1000	90	45	00-1468	x	
RO500A65203	B	65	200	135,0	2500	55	45	00-1468	x	

RO★500A65xxx replaces the types A61xxx, A63xxx and A64xxx
RO★500B65xxx replaces the types B61xxx, B63xxx and B64xxx
The screw set for mounting is included in delivery.

More information regarding our palette of products can be found at www.jost-world.com

