

RO*57 flex



www.jost-world.com

57 mm towing hitch for the high demands of on road and off road use

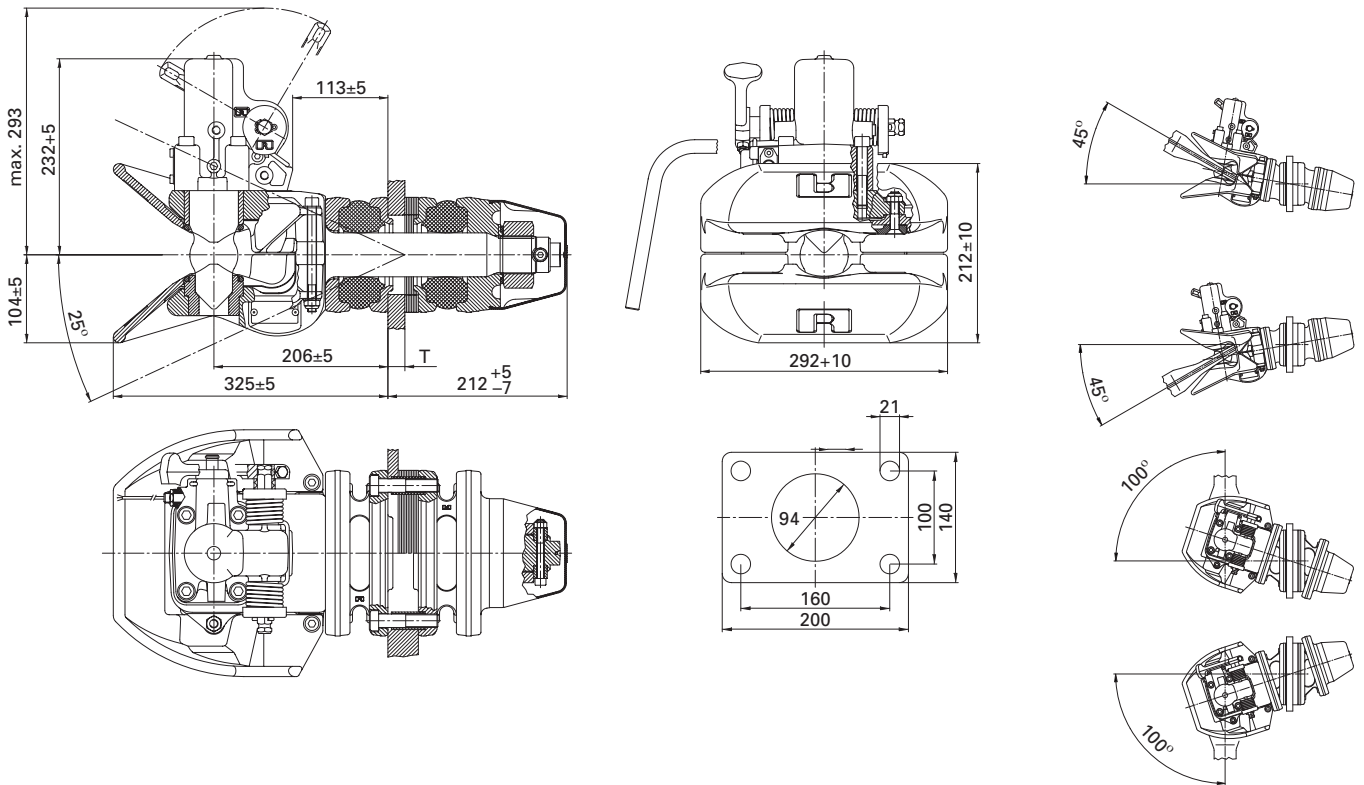
- Better off road characteristics thanks to specially designed rubber bearings
- Well suited to tough conditions with a D value of up to 260 kN, even off normal roads
- Rotating bolts guarantee even wear
- Low-maintenance due to special grease filling for extreme temperatures
- Easy to repair thanks to a split funnel and the ROCKINGER modular construction system
- Easy to mount onto the vehicle thanks to an aligned locking system
- For 57,5 mm towing eyes complying with the Swedish norm:
 - to weld in
 - with a flange
- Available with a new pneumatic remote control, ex works or as an upgrade kit
- EU approval according to 94/20/EC

JOST

RO★57 flex

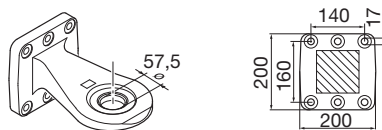
Technical Specification

57 mm towing hitch for the high demands of on road and off road use
94/20/EC, e11 00-4982

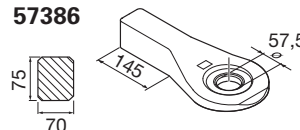


								e1		
		(mm)	D (kN)	Dc (kN)	S (kg)	V (kN)	(kg)			
RO576C61000	6	160 x 100	260				57	00-4982		
RO576D61000	6	160 x 100	260				57	00-4982		
RO576C61400	6	160 x 100	260				63	00-4982	x	x

57370



57384 57386



	\varnothing (mm)								e1
		D (kN)	Dc (kN)	S (kg)	V (kN)	Pc (kN)	Av (t)	(kg)	
57370	57,5	300	131	1000	82	30	18	18,7	00-1356
57370	57,5	300	130	2000	50	30	18	18,7	00-1356
57370	57,5	300	146,5	1000	65,5	30	18	18,7	00-1356
57384	57,5	200	-	1000	-	25	-	10,0	00-1659
57386	57,5	200	-	1000	-	25	-	10,0	00-1658

Pneumatic remote control

RO★PC 57 C: **ROE 71167**
 Electric remote display: **ROE 70936**
 Funnel extension: **ROE 71162 (1x)**
 LubeTronic AK2: **ROE 71624-2**

More information regarding our range of products can be found at www.jost-world.com

