

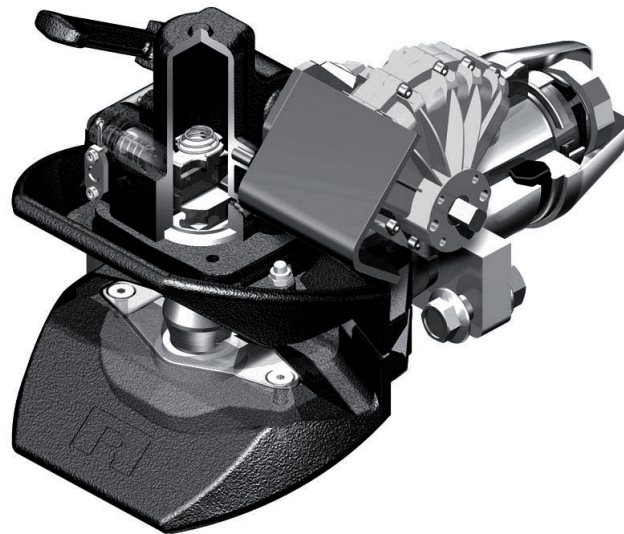
RO★57



Reparaturanleitung | Repair instructions | Reparationsvejledning | Reparationsanvisning | Руководство по монтажу

ROE71153

- Ⓛ Sicherung
- Ⓜ Locking device
- Ⓝ Sikring
- Ⓢ Лåsindikator
- Ⓡ Предохранитель



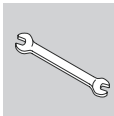
Locking device

Requirements

- Machine is depressurized (only in coupling with pneumatic remote control)

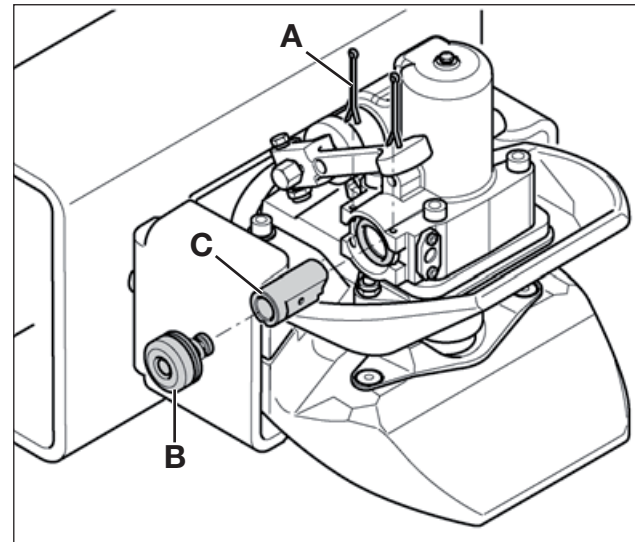
TOOLS:

- Mechanics pliers



Disassembly

- Remove splints [1A]
- Remove cover with display pin [1B]
- Remove locking pin [1C]



- [1] **A** Splint
B Cover
C Locking pin

Installation

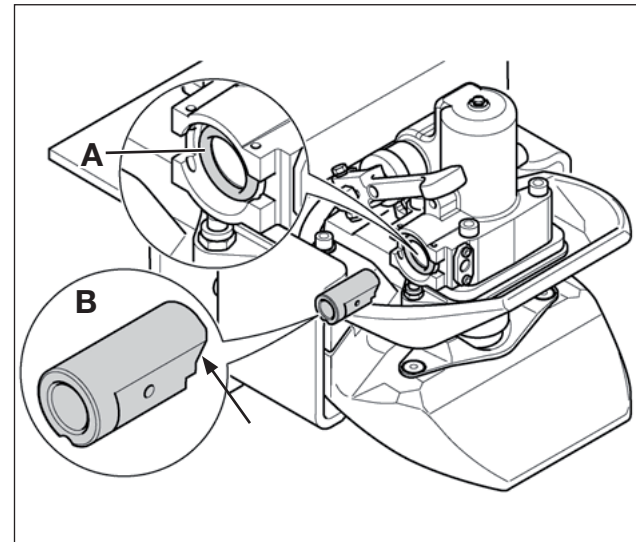
Installation is in opposite order. During this process, please do the following:

- Replace O-ring [2A]
- Lubricate locking pin and buffer before installation



LUBRICANTS:

- Special lubricant (ROE 96 041), included in the contents of the lock spare part shipment
- Only use the supplied lubricant (danger of gumming and safety failure)
- Check the correct installation position of the locking pin: Canted surface downward [2B, arrow]
- Install new splints [1A]
- Protect splints from falling out: Bend splint ends upward



- [2] **A** O-ring
B Locking pin with chamfer (arrow)



Technische Änderungen vorbehalten.
Aktuelle Informationen finden Sie unter:
www.jost-world.com

Technical modifications reserved.
For up-to-date information, please visit:
www.jost-world.com

Tekniske endringer kan forekomme!
Før senest information, se:
www.jost-word.com

Förbehåll för tekniska ändringar!
För senaste information, se:
www.jost-world.com

Мы сохраняем за собой право вносить
технические изменения. Актуальную
информацию смотрите по адресу:
www.jost-world.com

JOST-Werke
Siemensstr. 2
D-63263 Neu-Isenburg
Telefon +49(0)61 02295- 0
Fax +49(0)61 02295-298
www.jost-world.com